

# Halo



## Description

■ **Special Light Emitting Design**

Core circle light with transparent lamp brings a new lighting experience;

■ **Superior Material**

Top-class ultra white tempered glass is hard and wear resistance, which reduces the loss of light with the high light transmittance>90%;

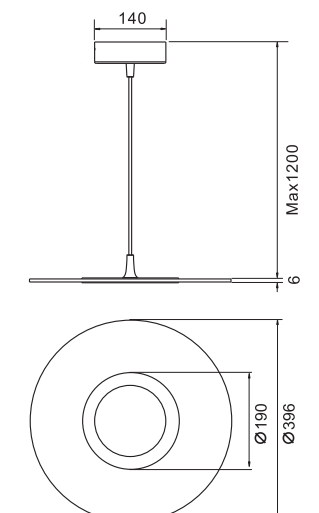
■ **Practical Idea of Art**

Unique silk screen in the glass body combines art design with practicality.

## Drawing



## Dimension



Unit: mm

## Spec.

Model	Wattage	Input Voltage	Luminous	Color	CCT	Operation Condition
HALO24WW-P1-EN	24W	220-240VAC 50/60Hz	1440Lm	Loop	3000K	-10°C ~ 40°C RH15% ~ 50%
HALO24WW-P2-EN				Plum Blossom		
HALO24NW-P1-EN			1600Lm	Loop	4000K	
HALO24NW-P2-EN				Plum Blossom		

Basic Spec.	
Main Material	Alloy Aluminum + Tempered Glass
Color Index	Ra>80
IP Rate	IP20
Power Factor	>0.9
Dimming Mode	Non-Dimmable

Lighting Source	
Brand	Lumileds
Model	Luxeon 3020
Quantity	63Pcs
Beam Angle	120°
Lifespan	36000Hrs

Package	
Size	450*450*120mm
Material	Corrugated paper
Packing List	Lamp/MANUAL
N.W.	2.4KG
G.W.	3.2KG

## Application

Dining Room    Balcony    Coffee House



## Certification

