

Sailing



Description

■ **Combination Culture Design**

The combination of Chinese history culture and Western aesthetics froms the unique design shape of "Sail";

■ **Composite Manufacturing Process**

Customized aluminum with anodic oxidation process gives the strong ability of abrasion resistant and corrosion resisting, and makes the lamp body maintain metal luster;

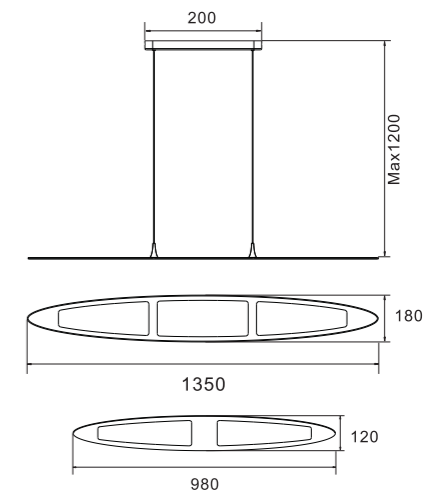
■ **Excellent Heat Dissipation Capability**

1300X180mm/980X120mm large back radiating area ensures the lifetime of LEDs effectively.

Drawing



Dimension



Unit: mm

Spec.

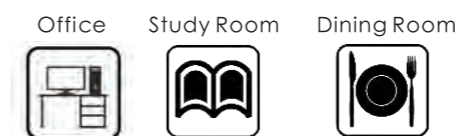
Model	Wattage	Input Voltage	Luminous	Color	CCT	Operation Condition
SAILING28/30WW-SI-EN	28/30W	220-240VAC 50/60Hz	1820/1950Lm	Silver	2700K	-10℃ ~ 40℃ RH15% ~ 50%
SAILING28/30WW-GL-EN				Golden		
SAILING28/30WW-DG-EN				Grey		
SAILING28/30NW-SI-EN			2100/2230Lm	Silver	4000K	
SAILING28/30NW-GL-EN				Golden		
SAILING28/30NW-DG-EN				Grey		

Basic Spec.	
Main Material	Alloy Aluminum+PC
Color Index	Ra>80
IP Rate	IP20
Power Factor	>0.92
Dimming Mode	Non -Dimmable

Lighting Source	
Brand	Lumileds
Model	Luxeon3014
Quantity	160/180Pcs
Bean Angle	120°
Lifespan	36000Hrs

Package	
Size	1020*150*140/ 1340*200*140mm
Material	Corrugated paper
Packing List	Lamp/Manual
N.W.	2/3Kg
G.W.	3/4Kg

Application



Certification

