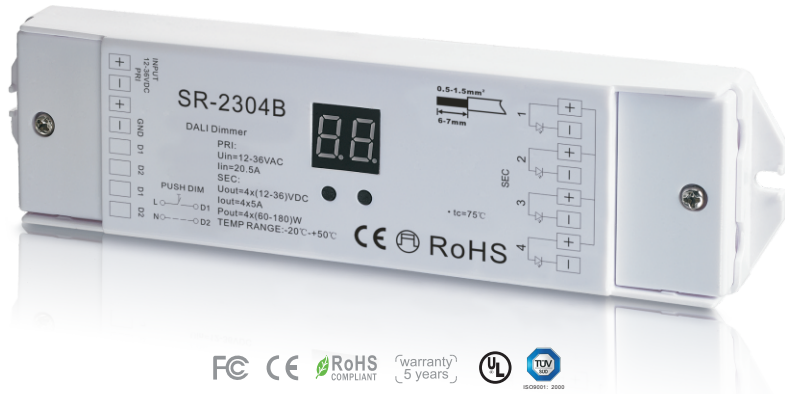


DALI dimmer(Push dim)

Model:SR-2304xx series



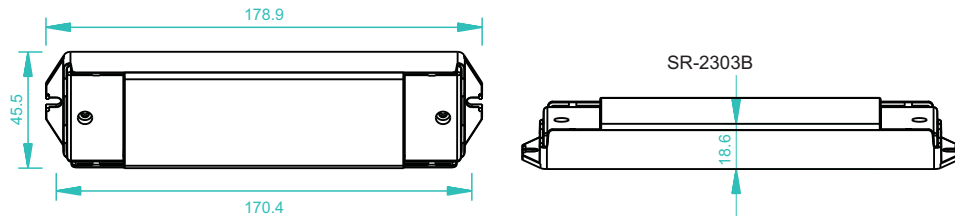
Feature

- Match all DALI system in the market
- Manual /automatically DALI address setting
- DALI address digital indicate
- Four channels with same address,4 CH work synchronously
- Push dimmer/DALI dimmer optional
- Compatible with SR-2400TL,SR-2400TG,SR-2400TS,SR-2400LC,SR-2400GC,SR-2400SC and any good quality DALI Master

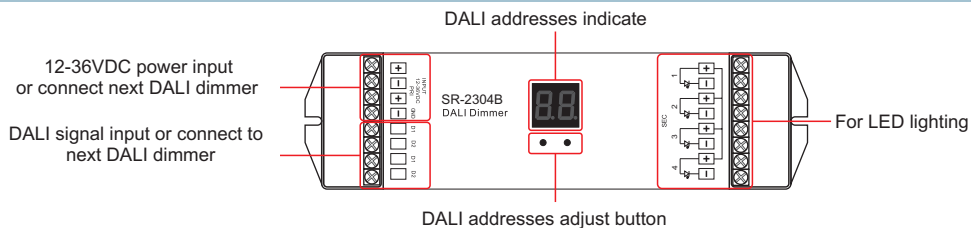
Parameter

Part No.	Input Voltage	Current	Output	Remarks
SR-2304B	12-36VDC	4x5A	4x(60-180)W	Constant voltage
SR-2304BEA	12-36VDC	4x8A	4x(96-288)W	Constant voltage
SR-2316B	12-36VDC	4x350mA	4x(4.2-12.6)W	Constant current
SR-2318B	12-36VDC	4x700mA	4x(8.4-25.2)W	Constant current

Product Size

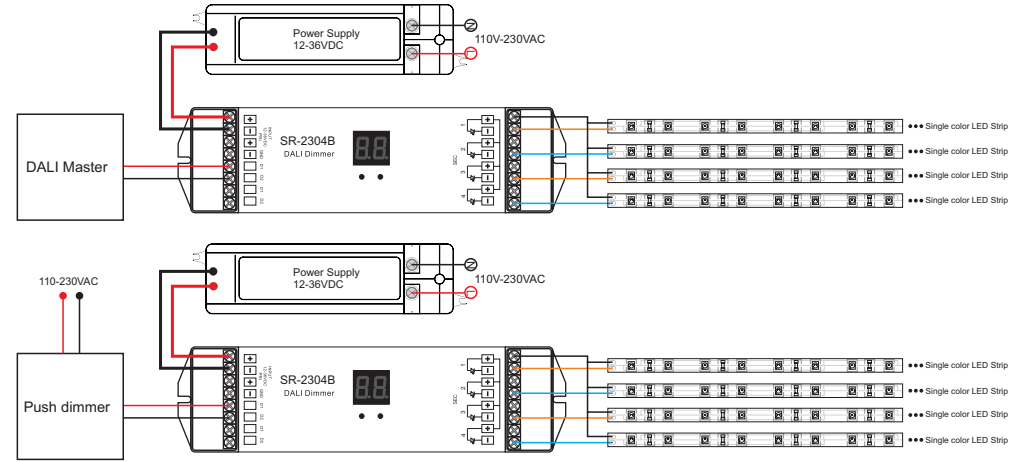


Brief introduction of buttons

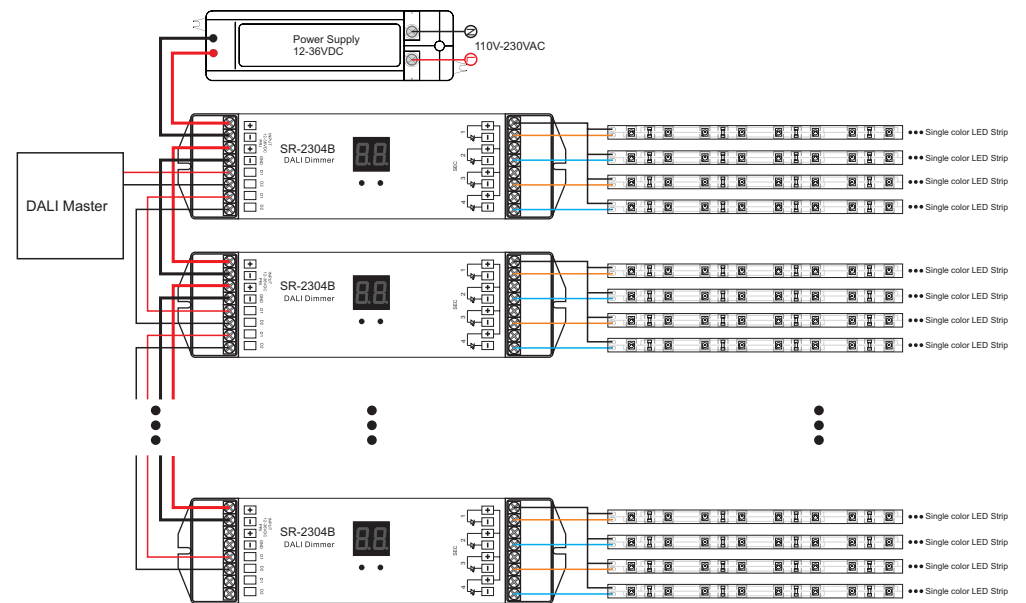


Wiring diagram

1)Connection Diagram for Single Unit



2)Connection Diagram for Multiple Units



Operation

Setting DALI address

- Manual: Long press any button---digital address will flicker---short press button to set address we want---long press any button to confirm.
- DALI master setting: SR-2304xx Series can also be setting address by all DALI masters which possess this function. The specific operation can refer to DALI master manual.
- Once an address is selected, all four channels address will be same. For example, if the decoder is addressed to 22 on the display then CH1 - 22, CH2 - 22, CH3 - 22, CH4 - 22.

Push DIM function instructions

- a. After entering to this mode, the display of DALI push dimmer will show "PD" – "PUSH DIMMER" mode
- b. Short press the Push DIM switch (<0.5s) to control the lamp on or off
- c. Long press the Push DIM switch (>0.5s) to dim the brightness of light; the dimming direction will change every time after pressing switch
- d. When the light being turned off, long press the Push DIM switch can turn on the light and adjust its brightness according to the dimming direction
- e. The brightness adjustment range is 1%-100%, and the light can be turned off through short pressing.
- f. Power off memory function, the power-down state before will be maintained when power on again

Switching of two modes

- a. DALI and Push DIM functions cannot be used simultaneously, which can be controlled respectively by using DALI controllers or the equipments with Push DIM function
- b. Under DALI dimmer mode, device will enter into PUSH DIMMER mode with AC (200-240VAC) signal. Under PUSH DIMMER mode, device will enter into DALI dimmer mode with DALI signal. And it will show the previous set address. Within back and forth switching modes process, the DALI address won't be lost or changed.
- c. DALI device can switch many times between "DALI DIMMER" mode and "PUSH DIMMER" mode, but the DALI input port must be unique. Either the DALI dimmer wiring with DALI signal input, or PUSH DIMMER wiring with AC (200-240VAC) signal.

Safety & Warnings

- 1) The product shall be installed and serviced by a qualified person.
- 2) IP20. Please avoid the sun and rain. When installed outdoors, please ensure it is mounted in a water proof enclosure.
- 3) Always be sure to mount this unit in an area with proper ventilation to avoid overheating.
- 4) Please check if the output voltage of any LED power supplies used comply with the working voltage of the product.
- 5) Never connect any cables while power is on and always assure correct connections to avoid short circuits before switching on.
- 6) Please ensure that the cable is secured tightly in the connector
- 7) For update information please consult your supplier.

Warranty Agreement

- 1) We provide lifelong technical assistance with this product:

- 5-year warranty. We print date on every products, for example :1125 means year 2011, week 25. The warranty is for free repair or replacement and covers manufacturing faults only.

- For faults beyond the 3-year warranty we reserve the right to charge for time and parts.

- 2) Limited Warranty

- Any defects caused by wrong operation.

- Any damages caused by unauthorized removal, maintenance, modifying, incorrect connection and replacement of chips.

- Any damages due to transportation, vibration etc. after purchase.

- Any damages caused by earthquake, fire, lightning, pollution and abnormal voltage.

- Any damages caused by negligence, inappropriate storing at high temperatures and humidity or near harmful chemicals.

- Product has been updated

- 3) Repair or replacement as provided under this warranty is the exclusive remedy to the customer.